

Stroboframe®

Digital Pro-T™ Flash Bracket

(Cat. No. 310-800EX)



The Tiffen Company

90 Oser Avenue • Hauppauge, NY 11788
(631) 273-2500 • Fax: (631) 273-2557

E-Mail: techsupport@tiffen.com • www.tiffen.com

914-800-101N (0609)
Made in Taiwan

Identification



1. Flash Arm
2. Flash Height Adjustment
3. Flash Support Arm
4. Fold Away Kickstand
5. ProGrip Universal Camera Mount
6. Stainless Steel Camera Mounting Screw

General Information

The Digital Pro-T is a professional flash bracket that accepts Digital SLR's, 35mm and Medium Format cameras. It permits fast, comfortable handling in both landscape and portrait orientations while keeping the flash centered over the lens. When shooting—you hold the camera and not the bracket. You maintain a "hands-on" connection with your camera, allowing you to handle and operate the camera as you are used to. The padded flash arm support is intended to be used as a carrying handle only.

Unique to Strobeframe—the Digital Pro-T features ProGrip—an unambiguous and intelligent approach to solving the traditional custom camera plate dilemma. The top surface of the camera mount has a machined cross-sectional recess and is covered by dense textured rubber material. This ultra thin barrier, grips the bottom of your camera body and provides an extremely solid connection. When your camera is securely mounted, this design concentrates the maximum frictional force to the outside edges of the mount to prevent twisting.

The ProGrip Universal Camera Mount does not have the traditional contoured lip to aid in preventing camera twist. Instead the camera mount contact surface is flat, so there are no obstructions to the front or back of your camera body, limiting access to controls or possibly causing damage to your camera. This is a plateless system.

Product instructions

Attaching Your Camera

The Digital Pro-T comes with two camera mounting screws (6) - one with a hex head (Allen Key included) and one with the traditional flathead that can be secured with a screw driver or coin. The camera mounting screw is already installed onto the ProGrip Universal Camera Mount (5) - (end of the slot is threaded for easy removal). Holding your camera and bracket upside down, align the camera mounting screw to the tripod mount on the bottom of your camera. The camera should be oriented on the bracket so when viewed from behind, the flash support arm is on the right, and in front of the camera right-hand grip.

Position the camera so that you have enough clearance to hold the camera grip. Make sure the camera mount is parallel to the camera body and in full contact with the bottom of the camera. Using the 1/4" hex key, screw the camera mounting screw into the tripod mount on the bottom of your camera for a snug fit. **This base is designed to resist twisting with minimal clamping force; however, use caution on cameras that have a plastic housing and do not over-tighten. The lighter the camera body, the less torque should be applied to the camera mounting screw.**

Attaching Your Flash Unit

Secure your dedicated TTL cord, shoe mount or flash unit to one of the 5 available holes in the Flash Arm (1) with the enclosed Flash Mounting Knob. Choose the hole that best centers the flash over the lens.

Optional flash quick releases and flash anti-twist plates are available for some flashes and dedicated cords. Check with your Strobeframe dealer for specific application and availability.

Using the Digital Pro-T

The Digital Pro-T is designed for you to hold your camera grip with your right hand, leaving your left hand free to support the camera. This "hands-on" design allows you to have uninterrupted access to all camera controls. When switching to a portrait (vertical) composition, rotate the camera and bracket counter-clockwise, then turn the flash arm clockwise 180 degrees to maintain the flash position over the lens. Simply reverse the motion to return to landscape (horizontal) composition.

Adjusting the Flash for Portrait (Vertical) Compositions

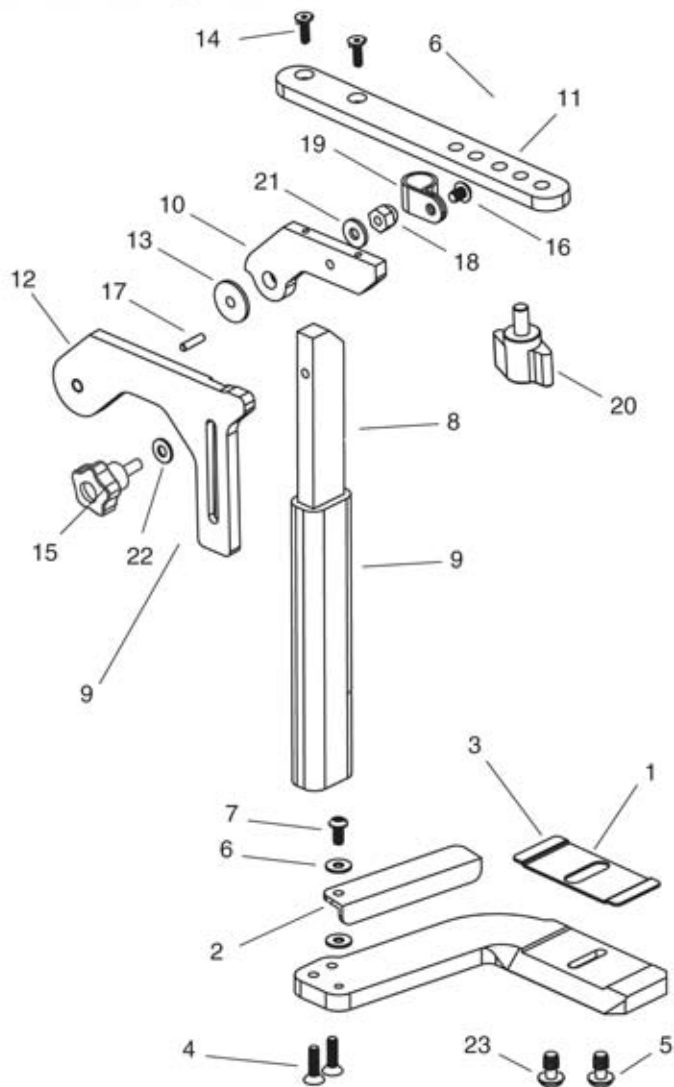
Position the camera and flash for portrait composition and check to see that the flash is directly over the lens. If not, loosen the Flash Height Adjustment Knob, slide the flash arm so the lens and flash are aligned, and retighten the knob.

Using the Fold Away Kickstand

Your bracket features a Fold Away Kickstand (4) which adds stability to your bracket when set upright. Swing the kickstand out fully when setting the bracket upright on a table or floor. Swing the kickstand back along the bracket base when shooting. bracket upright on a table or floor. Swing the kickstand back along the bracket base when shooting.

Caution: Depending on the weight and balance of your equipment, even with the kickstand in use, your bracket may not stay balanced. We recommend you test the balance of your bracket with your camera and flash mounted. If it is unstable, you must rest it flat with the lens facing up to prevent tipping and possible damage. Tiffen's warranty does not cover damage caused by improper use or consequential damage to your equipment under these circumstances.

Parts List Diagram



Parts List Key

Key	Part Number	Description
1	328-111-10ATB	ANTI-TWIST MNT BASE
2	328-114-10EX	KICKSTAND
3	350-105-10EX	3M PAD
4	9CFS-832-10B	SCREW, 8-32 X 5/8 SOC FL HD
5	903-ATB-10SR	CAMERA MOUNT SCREW HEX HEAD
6	9SPW-114-00J	WASHER
7	9SPS-101-00B	PATCH LOCK SCREW
8	328-107-10PT	POST
9	328-106-10GR	GRIP

Parts List Key

10	328-112-10AR	PIVOT ARM
11	328-110-10AR	FLASH ARM
12	328-113-10SU	PIVOT SUPPORT
13	903-114-10BE	BEARING
14	9CFS-632-08B	SCREW, 6-32 X 1/2
15	360-032-10KB	FLASH HEIGHT ADJUSTMENT KNOB
16	9CBS-032-04B	SCREW, 10-32 X 1/4 BUTT HD SOC
17	328-115-10PI	PIN, DOWELL
18	328-116-10CL	CORD CLAMP
19	9NAC-002-00B	ACORN LOCK NUT
20	903-103-10KB	FLASH MOUNT KNOB
21	9WAR-001-00K	WASHER
22	9SPW-105-00B	TENSION WASHER
23	903-123-10SR	CAMERA MOUNT SCREW FLAT HEAD

Ordering Information

Your Strobeframe bracket comes with a limited five-year warranty that covers all parts and accessories. If the bracket fails within five years of the original purchase, we will repair it or replace it at no charge. Simply return the defective part, together with proof of purchase, to the address on the back page. This warranty gives the purchaser specific legal rights, which may vary from state to state. Any failure caused by modification or abuse is not covered under this warranty. We are not responsible for any loss, inconvenience or consequential damages arising from the use or misuse of Strobeframe products. You must determine the suitability of the equipment for your application.

To register your product warranty, please visit us online at:

<http://www.tiffen.com/warranty.html>

Mail: Send payment or charge card information to

The Tiffen Company
Strobeframe Division
90 Oser Avenue
Hauppauge, NY 11788

Phone: Call our Order Desk (631) 273-2500 between 8:30 a.m. and 5:30 p.m. (EST) weekdays, to place credit card orders only. For fax orders dial (631) 273-2557.

Sales Tax: New York state residents, please add 8.65% sales tax.

Payment: We accept VISA, MasterCard, check or money order. Sorry, no COD's.

Shipping: Add \$5.00 for shipping in the continental U.S. only. Small parts are shipped First Class Mail; other items by UPS.

PLEASE BE SURE TO SPECIFY CATALOG NUMBER WHEN ORDERING.