

## **ORDERING INFORMATION**

Stroboframe parts can be ordered through your photo dealer. If not available through your dealer, you may order directly from Tiffen by mail or by phone.

**MAIL:** Send payment or charge card information to

**The Tiffen Company  
Stroboframe Division**

90 Oser Avenue, Hauppauge, NY 11788

**PHONE:** Call our order desk (631) 273-2500 between 8:30 a.m. and 5:30 p.m. (EST) weekdays, to place credit card orders only. For fax orders dial (631) 273-2557.

**SALES TAX:** New York state residents, please add local sales tax.

**PAYMENT:** We accept VISA, MasterCard, check or money order. Sorry, no COD's.

**SHIPPING:** Add \$5.00 for shipping in the continental U.S. only. Small parts are shipped First Class Mail, other items by UPS.

BE SURE TO SPECIFY CATALOG NUMBER WHEN ORDERING.



**The Tiffen Company**

90 Oser Avenue • Hauppauge, NY 11788

(631) 273-2500 • Fax: (631) 273-2557

E-Mail: techsupport@tiffen.com • www.tiffen.com

**Stroboframe®**

## ***Stroboflip VH 2000***

### ***Vertical/Horizontal Flash Rotator***

*(Cat. No. 300-100)*

## ***Instructions***

## **IMPORTANT**

Please read and carefully follow these instructions. Improper installation or use can cause damage to your equipment.

## **GENERAL INFORMATION**

Our Stroboflip VH2000 accepts Digital and 35mm SLR and medium format centered cameras. Light and compact, the unit will position the flash centered above the lens in both horizontal and vertical formats. The Stroboflip is tripod mountable and comes with a shoe-type flash mount and a 35mm Anti-Twist (AT) Plate, for locked-in camera alignment that prevents the camera from twisting on the platform.

## **SYSTEM 2000 ACCESSORIES**

<b>Catalog No.</b>	<b>Description</b>
	<b>Flash Mounts</b>
300-SHO	Shoe Mount
300-HAN	Handle Mount
300-418	Metz Flash Mount II
	<b>Anti-Twist Plates</b>
300-SLR	35mm SLRs (Except Nikon F4)
300-MAM	Mamiya (Except Mamiya 6)
300-HAS	Hasselblad
	<b>Accessories</b>
300-QRC	Camera Auto Quick Release (with Mounting Plate)
300-PLT	Additional Camera Mounting Plate for 300-QRC

## **FIVE-YEAR LIMITED WARRANTY**

Your Strobframe bracket comes with a limited 5-year warranty. If at any time within five years of original purchase the bracket fails, we will repair it or replace it at no charge. Simply return the defective part, together with proof of purchase to:

**The Tiffen Company**  
**Strobframe Division**  
**90 Oser Avenue**  
**Hauppauge, NY 11788**

This warranty gives the purchaser specific legal rights that may vary from state to state. Any failure caused by modifications or abuse is not covered under this warranty. We are not responsible for any loss, inconvenience or consequential damages arising from the use or misuse of Strobframe products. You must determine the suitability of the equipment for your application.

## USING THE BRACKET

### Horizontal Format

Hold your camera as you normally would, right hand on the right side of the camera, ready to release the shutter. Your left hand should be used to focus the lens.

### Vertical Format

Continue to hold the camera with your right hand. Grasp the flash near the shoe with your left hand, rotate the flash clockwise, and simultaneously turn the camera to vertical (Figure 4) format. Your right hand will now be on top, ready to release the shutter. Position your left hand to focus the lens.

A stainless steel 1/4"-20 tripod socket (9) is provided in the base of the bracket for mounting on a tripod.

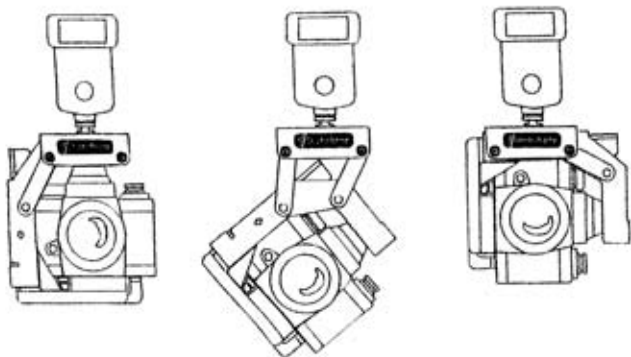


Figure 4:  
Rotating the flash positioner

## PARTS AND COMPONENTS IDENTIFICATION

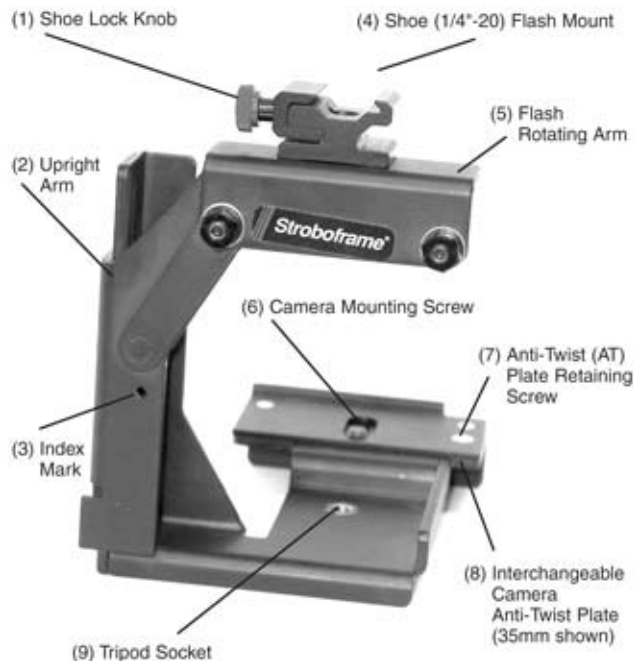


Figure 1:  
Strobolip VH2000 (Catalog No. 300-100)

## ASSEMBLY

Your Stroboflip VH2000 is delivered fully assembled, with the shoe flash mount and AT Plate attached. Final adjustments require a Phillips-head screwdriver.

### The Anti-Twist Plate System

An Anti-Twist (AT) Plate will prevent your camera from twisting on the bracket platform. You **MUST** use one with your Stroboflip at all times. The Stroboflip comes standard with a 35mm AT Plate. This fits most 35mm cameras. Please see the "Accessories" section for more information.

Secure the Anti-Twist Plate with the recessed retaining screw (7). Remove it only to switch plates.

## MOUNTING THE CAMERA

### Raising the Upright Arm

The bracket is assembled in its most compact configuration. If the flash rotating arm (5) interferes when you attach your camera to the bracket, the upright arm must be raised to its highest position. Locate and slightly loosen the two Phillips-head screws on the upright arm (2) of the Stroboflip (Figure 2). Raise the arm to its highest position and retighten the screws. Do this before installing a flash.

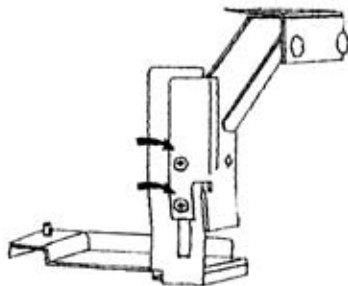


Figure 2:  
Raising the Upright Arm

### Attaching the Camera

Attach camera to the AT Plate, partially inserting the mounting knob into the tripod socket. Move camera back against lip of the 35mm AT Plate and tighten knob. Other AT Plates use locating pins or a front lip.

## MOUNTING THE FLASH

### Centering the Flash over the Lens

The flash should be centered over the lens in both horizontal and vertical formats. With the camera in a horizontal position, loosen the screws, align the index mark "♦" (3) on the upright arm with the axis of your lens, and retighten the screws (Figure 3). This adjustment assures that your flash will be centered over the lens in the vertical position.

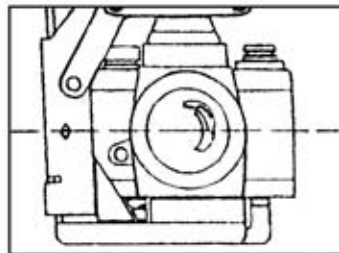


Figure 3:  
Centering the flash over the lens

### Attaching the Flash to the Shoe

The Stroboflip comes with a Shoe (1/4"-20) Flash Mount (4). To mount, slide the shoe of your flash into the flash mount of the bracket. If your flash has its own lock, secure that first, then tighten the red knob on the shoe mount.

By removing the shoe, the flash-mounting knob can be used to mount sync cords or flash units that require a 1/4"-20 screw mount. Other mounts are available.

Connect flash to camera with the appropriate sync cord for your equipment (not included). Dedicated sync cords are available through your dealer.